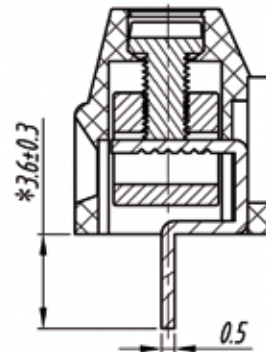
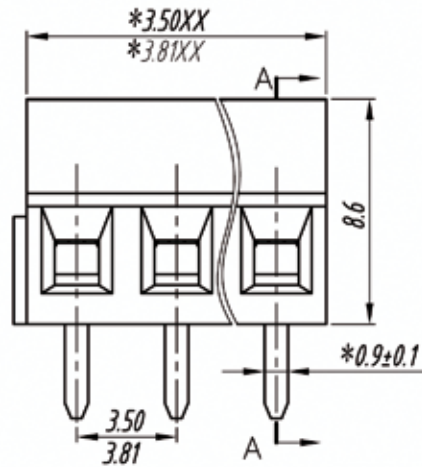
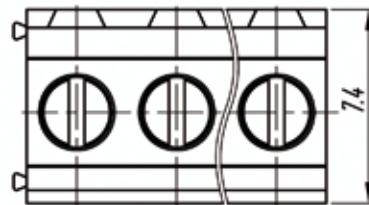


euro-block

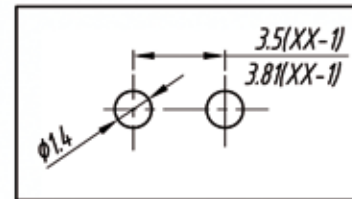
product specification



SECTION A-A



P. C. B. LAYOUT



Electrical

Standard: UL-IEC
 Rated voltage: 300V-250V
 Rated current: 10A-10A
 Wire range: 30-16AWG-1.5mm²
 Withstanding voltage: AC2000V/1Min

Mechanical

Torque: 0.2Nm (1.7Lb'in)
 Temp.Range: -40°C~+105°C
 Strip length: 5-6mm

Dimensions

Pitch: 3.50mm (0.138"), 3.81mm (0.150")
 Poles: 2p-xxp

Material

Housing: PA66, UL94V-0
 Screws: M2, steel, Zinc plated
 Pin header: Brass, Tin plated
 Wire guard: Brass, Ni plated

TOLERANCES EXCEPT AS NOTED

	linear dimension					fillet	chamfer	short angle sid			≡	—	□	//	⊥		
	variable range	to 6	over 6 to 30	over 30 to 120	over 120 to 480			to 6	to 10	to 30'						to 20'	to 10'
tolerance	±0.1	±0.2	±0.3	±0.5	±0.9	±0.2	±0.5	±1	1'	30'	20'	10'	0.5	0.025	0.06	0.12	0.4

UNITS	mm	SIZE	A4	SCALE	FIRST ANGLE PROJECTION	
euro-block						
					NAME	MRB31-3.5-V